

EN



# Catalogue of parts and assemblies for liquid heater AUTOTERM Flow 14D

АДВР.320.06.00.000 КДС

**Manufacturer: ADVERS LLC**

Novo-Sadovaja str. 106, 443068, Samara, Russia

[www.autoterm.ru](http://www.autoterm.ru)

**Representative office of manufacturer: AUTOTERM LLC**

Paleju 72, Marupe, Latvia, LV-2167

**Warranty Department** [warranty@autoterm.com](mailto:warranty@autoterm.com)

**Technical Support** [service@autoterm.com](mailto:service@autoterm.com)

[www.autoterm.com](http://www.autoterm.com)

This part-and-assembly catalogue is intended for companies and individuals involved in installing, repairing, and maintaining liquid heater Autoterm Flow 14D.

This catalogue consists of two sections:

1. A schematic drawing of the **pre-heater** (figure 1) and a list of the pre-heater's parts and assemblies (table 1)
2. A schematic drawing of the **heater** (figure 2) and a list of the heater's parts and assemblies (table 2)

If a part or assembly fails during use, look up its designation in this catalogue to order a replacement from the manufacturer.

**IMPORTANT**      **For ease of ordering, use the manufacturer's product numbers listed in the tables below**

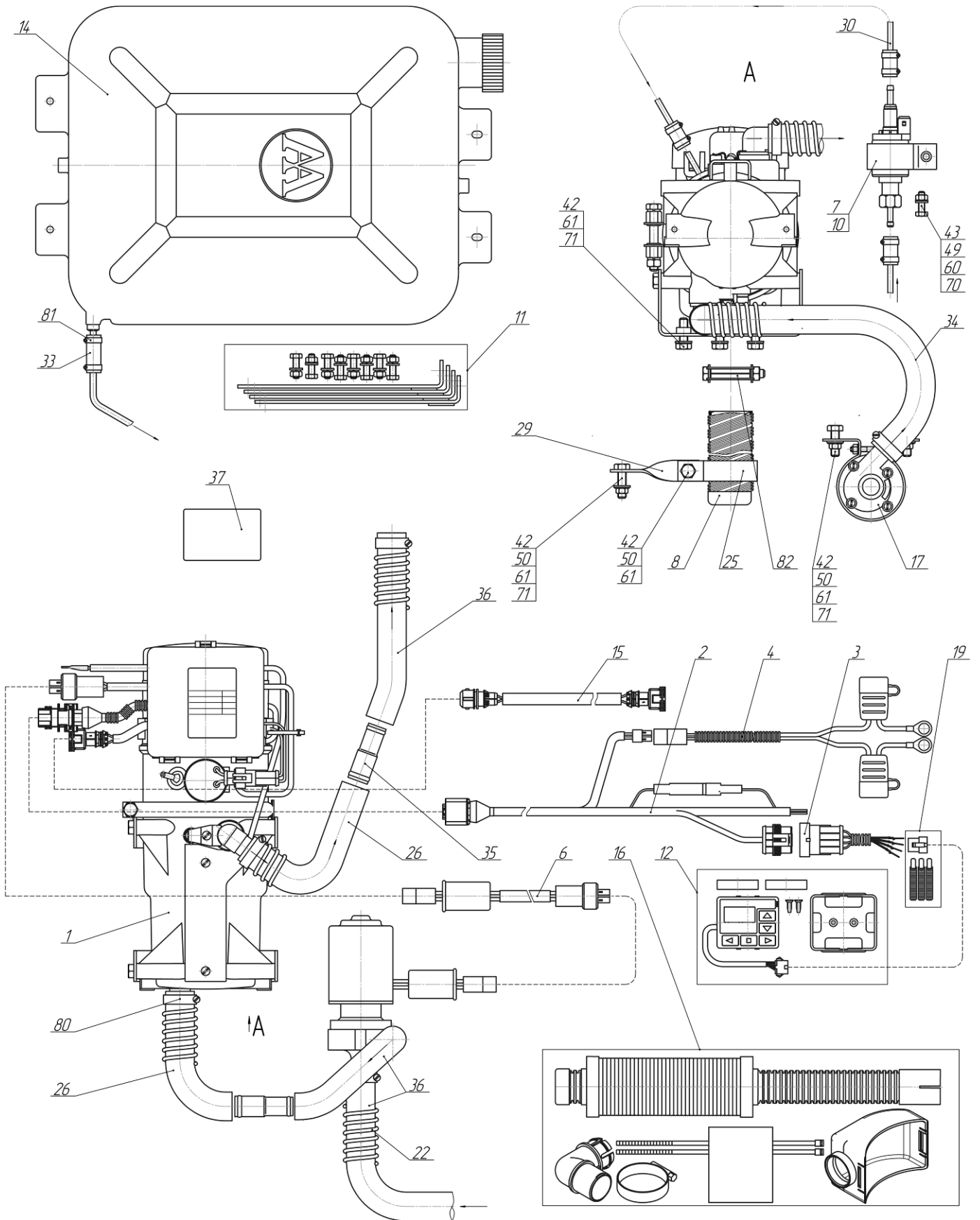


Figure 1- Schematic drawing of the pre-heater

Table 1

№	Part/assembly description and designation	Notes	Flow 14D assy 4810	Flow 14D assy4815	Flow 14D assy5255	Flow 5D assy 5260
	Pre-heater number		1	2	3	4
1	Heater					
	assy 4811	24V	1		1	
	assy 4816	12V		1		1
2	Harness					
	assy 4393		1	1	1	1
3	Harness of control panel					
	assy 4394	l=1,8m	1	1	1	1
4	Power supply harness					
	assy 73-01	24V	1		1	
	assy 1002	12V		1		1
6	Pump harness					
	assy 76		1	1	1	1
7	Fuel pump					
	Dosing fuel pump P0636 24V		1			
	Dosing fuel pump P0630 12V			1		
	assy 5032	TH11-6,8ml-24V			1	
	assy 5030	TH11-6,8ml-12V				1
8	Exhaust pipe					
	assy 2321		1	1	1	1
10	Clamp					
	assy 1467		1	1	1	1
12	Control panel PU-27TM2					
	assy 4725		1	1	1	1
14	Fuel tank БТ13					
	assy 1065		1	1	1	1
15	Fuel pump harness					
	assy 4071		1	1	1	1
16	Air intake with silencer					
	assy 3043		1	1	1	1
17	Pump					
	assy 2175	П6.24V	1		1	
	assy 2760	П6.12V		1		1
18	Fuel tank БТ13 installation kit					
	assy 9032		1	1	1	1
19	Mounting kit for harnesses					
	assy 9041		1	1	1	1
22	Protective spring					
	det. 4903		1	1	1	1
25	Clamp					
	det. 2206		1	1	1	1
26	Pipeline Ø20					
	det. 2777	l=1000mm	1	1	1	1
29	Holder					
	det. 132		1	1	1	1
30	Fuel supply line					
	det. 73	l=5000mm	1	1	1	1
33	Sleeve					
	det.5147	l=250mm	1	1	1	1
34	Corner pipe					
	det.202		1	1	1	1
35	Pipe reducer 18x20					
	det.4957		2	2	2	2
36	Pipeline Ø18					
	det. 8	l=3000mm	1	1	1	1

№	Part/assembly description and designation	Notes	Flow 14D assy 4810	Flow 14D assy4815	Flow 14D assy5255	Flow 5D assy 5260
37	Duplicate of label					
	det.5150		1		1	
	det.5151			1		1
41	BoltM6x25		1	1	1	1
42	Bolt M8x25		7	7	7	7
49	Nut M6		1	1	1	1
50	Nut M8		4	4	4	4
60	Washer 6		1	1	1	1
61	Washer 8		7	7	7	7
70	Lock washer 6		1	1	1	1
71	Lock washer 8		6	6	6	6
80	Clamp Mikalor 20x32		10	10	10	10
81	Clamp Mikalor mini 10		10	10	10	10
82	Clamp Bosal 250-945		1	1	1	1

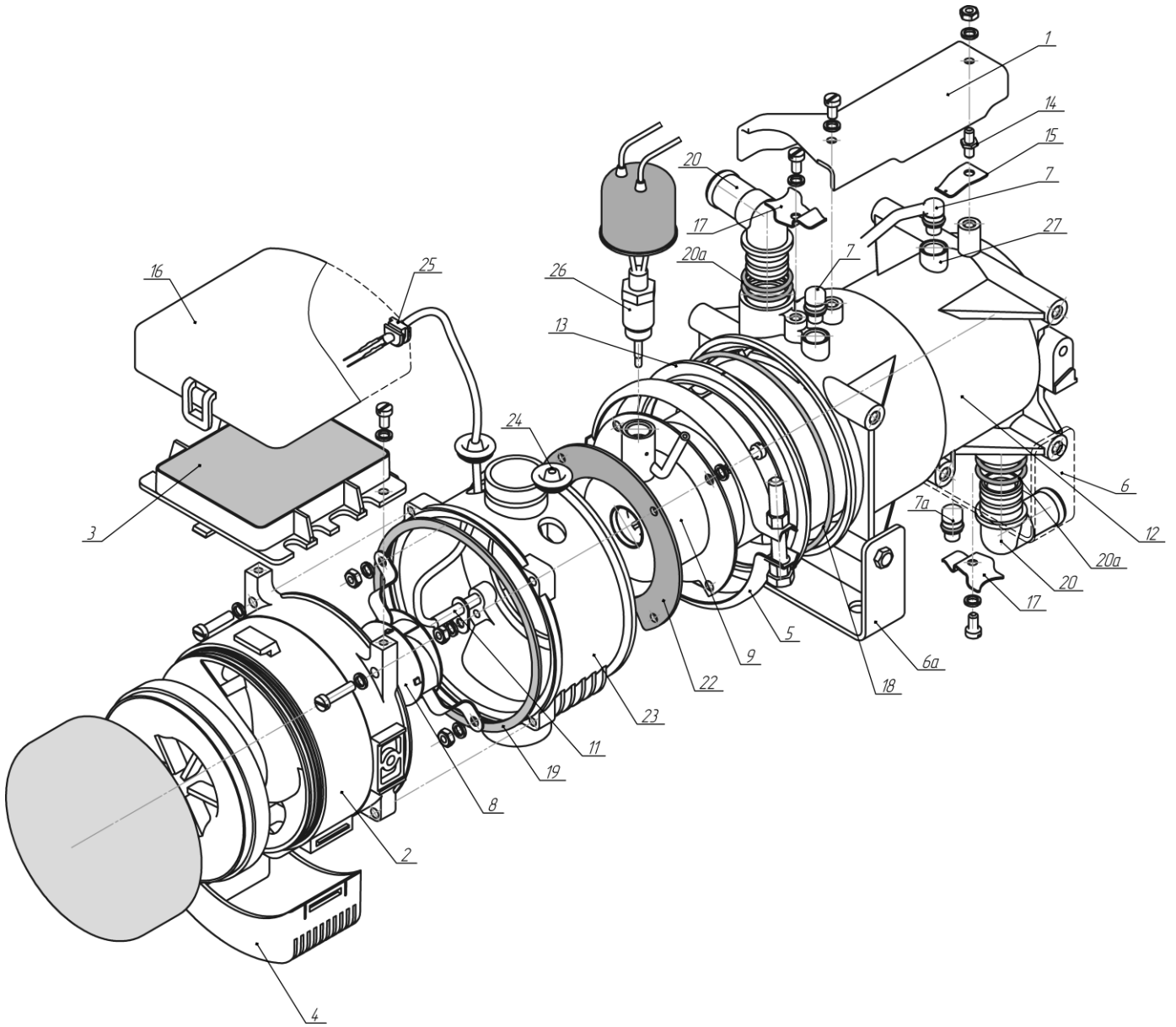


Figure 2- Schematic drawing of the heater

Table 2

№	Part/assembly description and designation	Notes	assy 4811	assy 4816
	Heater number		1	2
1	Housing			
	det. 2308		1	1
	Screw M5x10		1	1
	Nut M5		1	1
	Washer 5		2	2
2	Air pump			
	assy 2356	24V	1	
	assy 2633	12V		1
	det.2821	Ring		1
	Screw M5x25		4	
	Screw M5x35			4
	Lock washer 5		4	4
3	Control unit			
	assy 4077	24V	1	
	assy 4084	12V		1
4	Air intake			
	det. 2394		1	1
5	Clamp			
	assy 14		1	1
	Bolt M8x70		1	1
	Nut M8		1	1
	Lock washer		2	2
6	Bracket 1			
	assy 2352		1	1
	Screw 6x16		2	2
6a	Bracket 2			
	assy 2353		1	1
	Screw 6x16		2	2
7	Sensor assembly			
	assy 3470		1	1
7a	Dummy sensor			
	assy 3388			
8	Swirler			
	assy 65		1	1
9	Combustion chamber			
	assy 2354		1	1
	Bolt M5x20		1	1
	Bolt M5x25		3	3
	Lock washer 5		4	4
	Washer 5		4	4
	Nut M5		3	3
11	Flame detector			
	assy 1914		1	1
	det. 2065	Flame detector sealing	1	1

№	Part/assembly description and designation	Notes	assy 4811	assy 4816
12	Housing			
	det. 2301		1	1
13	Heat exchanger			
	det. 2302		1	1
14	Ferrule			
	det. 3563		1	1
15	Hold-down			
	det. 18		1	1
16	Control unit cover			
	det. 230			
17	Hold-down			
	det. 2393		1	1
	Screw M5x10 DIN 7500		1	1
	Lock washer 5		1	1
18	O-ring			
	det. 59		1	1
19	Gasket			
	det. 2397		1	1
20	Elbow			
	det.149		2	2
20a	O-Ring			
	det. 64		4	4
22	Gasket			
	det. 2396		1	1
23	Adapter			
	det.2303		1	1
24	Sealing			
	det.21		1	1
25	Sealing			
	det.2066		1	1
26	Plug			
	assy 3000	AD-12V	1	1
	det. 198	Plug washer	1	1
	Clamp Mikalor 25x40		1	1
27	Bushing and ring			
	det.3561	Bushing	1	1
	det.3562	Ring	1	1